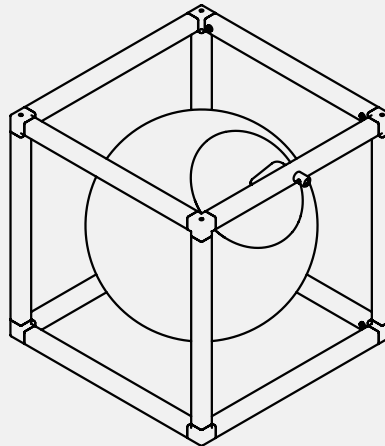


Rich Brilliant Willing



Shown: RGW-1

Witt 1

Designer

David Rockwell

Year Designed

2016

Description

Chandelier

Country of Manufacture

USA

Materials

Steel frame, satin opal globes

Certification



Product Codes SKU

RGW-1

*for 220V input append -220 to SKU

Lamping

1 x 8.5W LED
2700K typ. CCT
630 Lumen source min 80 CRI

Specifications

8.5 Watt
120V Input 50/60Hz (US & CAN)
220V Input 50/60Hz (Optional)
500 Lumens delivered

Dimming

Triac Dimming 10-100%
Recommended Wall Switch
Lutron DVCL-153P

Dimensions

14 x 14 x 14 in H
360 x 360 x 360cm H

Product Weight

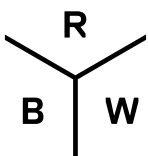
12.6 lb. / 5.7 kg.

Cord Length

72in / 1829mm
Custom length available

Suspension

1 x 1.2mm braided steel cable
Canopy - 5" / 127 mm



triode³ design

28, rue Jacob 75006 Paris
+33 (0)1 43 29 40 05

contact@triodedesign.com
www.triodedesign.com